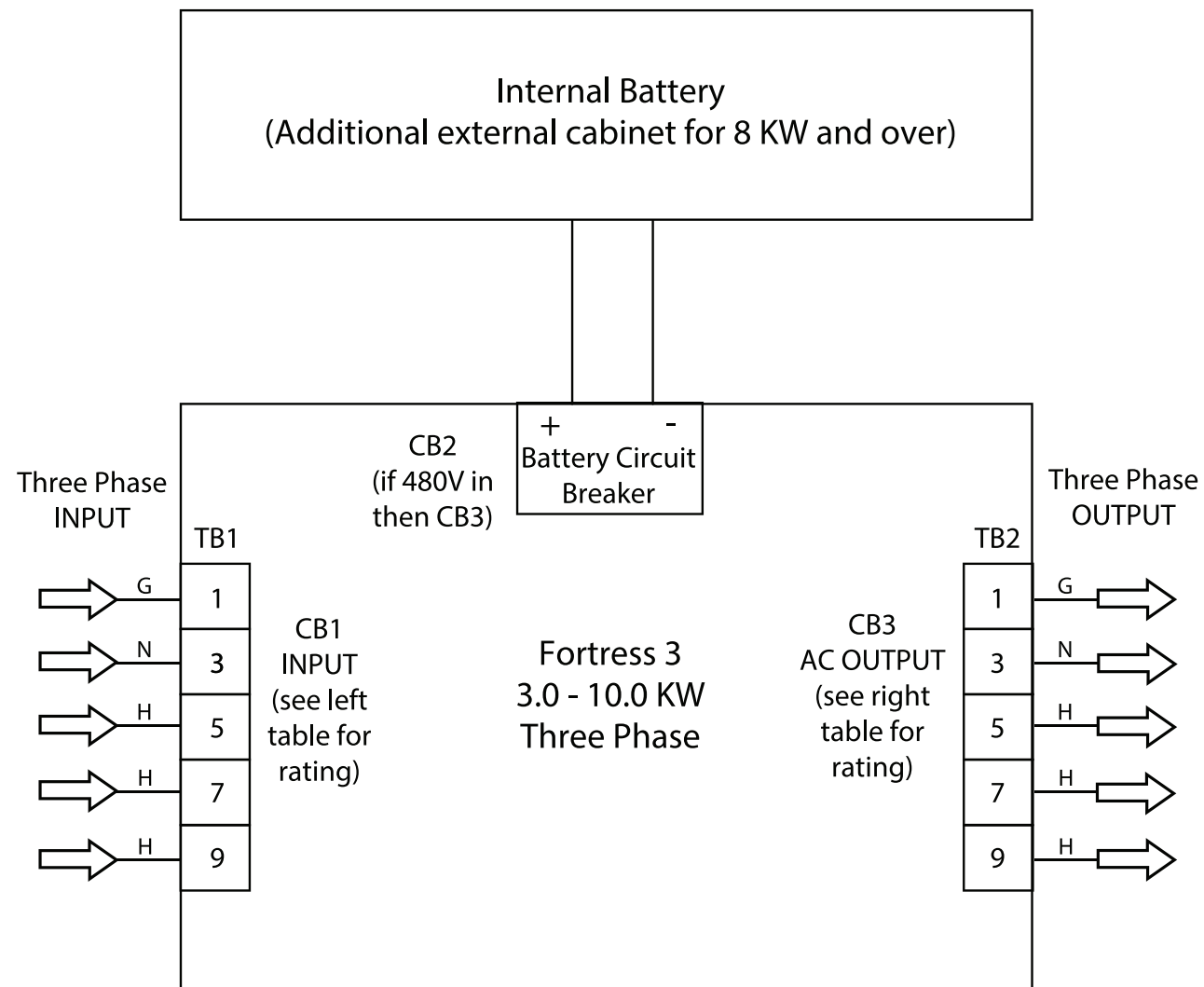


All Systems Interconnect Cables to be supplied by others

KW	Input Voltage	Utility Feed Amps
3.0	208Y/120	14.6
	480Y/277	6.3
	208	14.6
	480	6.3
4.5	208Y/120	21.9
	480Y/277	9.5
	208	21.9
	480	9.5
6.0	208Y/120	29.2
	480Y/277	12.6
	208	29.2
	480	12.6
8.0	208Y/120	39
	480Y/277	16.9
	208	39
	480	16.9
10.0	208Y/120	48.6
	480Y/277	21
	208	48.6
	480	21



KW	Output Voltage	Max Output Amps
3.0	208Y/120	8.3
	480Y/277	3.6
4.5	208Y/120	12.5
	480Y/277	5.4
6.0	208Y/120	16.7
	480Y/277	7.2
8.0	208Y/120	22.2
	480Y/277	9.6
10.0	208Y/120	27.8
	480Y/277	12