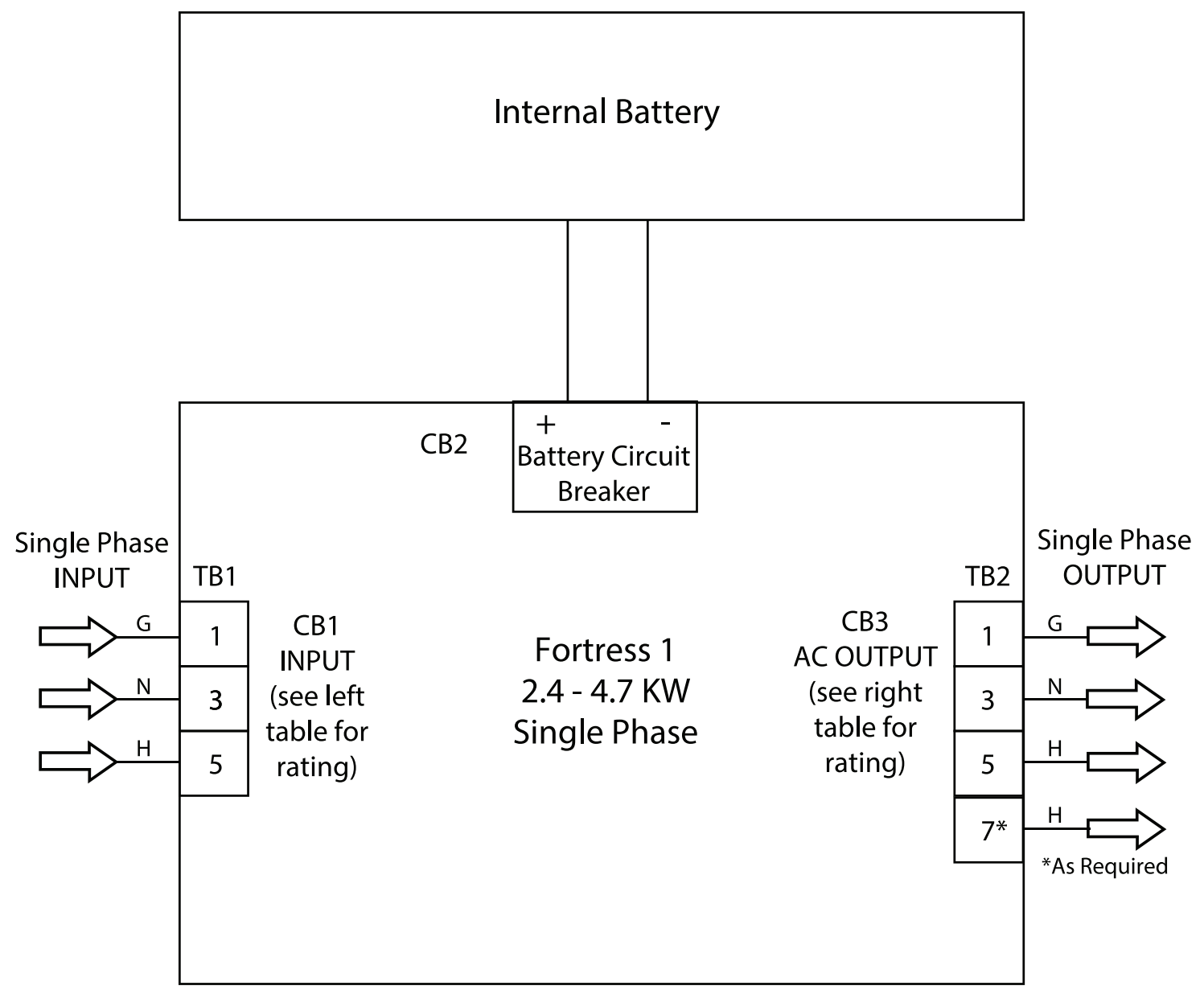


KW	Input Voltage	Utility Feed Amps
2.4	120	35
	208	20.2
	240	17.5
	277	15.2
	480	8.75
2.6	120	38
	208	22
	240	19
	277	16.5
	480	9.5
3.0	120	43.8
	208	25.3
	240	22
	277	19
	480	10.9
3.4	120	49.6
	208	28.6
	240	24.8
	277	21.5
	480	12.4
3.8	120	55.4
	208	32
	240	27.7
	277	24
	480	13.9
4.2	120	61.3
	208	35.4
	240	30.7
	277	26.6
	480	15.3
4.7	120	68.6
	208	39.6
	240	34.3
	277	29.7
	480	17.1



KW	Output Voltage	Max Output Amps
2.4	120	20
	277	8.7
	480	5
	120/240*	20/10
	120/277*	20/8.7
2.6	120	21.7
	277	9.4
	480	5.4
	120/240*	21.7/10.8
	120/277*	21.7/9.4
3.0	120	25
	277	10.8
	480	6.3
	120/240*	25/12.5
	120/277*	25/10.8
3.4	120	28.4
	277	12.3
	480	7.1
	120/240*	28.4/14.2
	120/277*	28.4/12.3
3.8	120	31.7
	277	13.7
	480	7.9
	120/240*	31.7/15.9
	120/277*	31.7/13.7
4.2	120	35
	277	15.2
	480	8.8
	120/240*	35/17.5
	120/277*	35/15.2
4.7	120	39.2
	277	17
	480	9.8
	120/240*	39.2/19.6
	120/277*	39.2/17

* Consult Factory for other wattages