

FORTRESS 1 HARSH

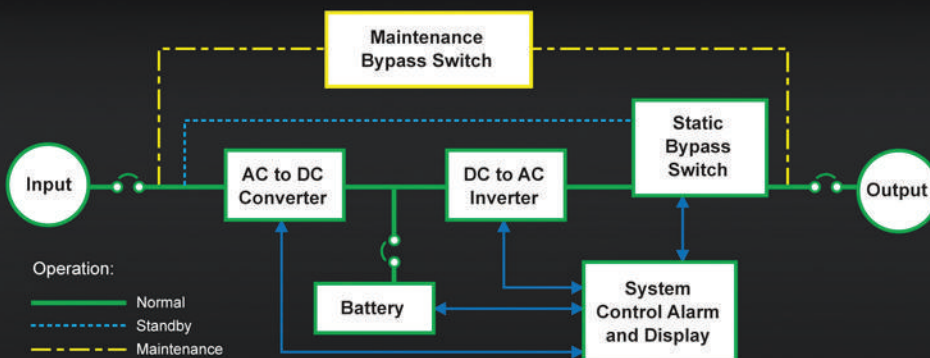
ONLINE OUTDOOR EMERGENCY LIGHTING INVERTER

KEEP THE LIGHTS "ON" WHEN YOU NEED THEM THE MOST

SINGLE PHASE 75 W - 21 KW

Defends your environment against unwanted power outage and electrical disturbances by providing:

- DSPM Watchdog software always on guard.
- Display monitor keeps you in control 24/7.
- Dependable DSP/PWM technology for unsurpassed reliability.
- Economical for the lowest overall cost for your light safety with an Energy Star Rating.
- Temperature compensating technology that controls batteries for the longest battery life.
- Sealed maintenance-free batteries.
- Full light output for entire 90 minutes.
- Self-diagnostics for a safe and secure lighted environment.
- Pure sine wave output for all types of lamps.
- ECM module is a patented technology used by DSPM.
- Backup solutions for multiple applications such as: indoor and outdoor emergency lighting, exits, cash registers, computers, strategic electronics, and more!
- 10 Year pro-rated battery warranty.
- 5 Year power train warranty.
- Listed to UL924, UL1778, and UL508
- Cities of Chicago and New York approved.
- Complies with the Buy American Act.



DSPM INC.
DIGITAL SIGNAL POWER MANUFACTURER
www.dspmanufacturing.com

439 S. Stoddard Avenue
San Bernardino, CA 92401
1.877.DSPM POWER
1.877.377.6769
Fax: 909.930.3335



FORTRESS 1 HARSH

ONLINE OUTDOOR EMERGENCY LIGHTING INVERTER

KEEP THE LIGHTS "ON" WHEN YOU NEED THEM THE MOST

SINGLE PHASE 75 W - 21 KW



- 0.075, 0.1, 0.125, 0.2, 0.3, 0.35, 0.525, 0.7, 0.875, 1.05, 1.4, 2.0, 2.4, 2.6,.....Standard Power Levels
- 3.0, 3.4, 3.8, 4.2, 4.7, 5.25, 7.0, 8.0, 10.0, 12.0, 14.0, 18.0, and 21.0 KW
- 120, 208, 240, 277 or 480 VAC.....Input Voltage
- +10% -15%.....Input Voltage Range
- 120, 277, 480, 120/240 or 120/277 VAC.....Output Voltage
- ±3% for all loads and battery discharge mode.....Output Voltage Regulation
- 60 Hz, ±1%.....Output Frequency Range
- Sine-wave <5% @ 100% linear load.....Output Wave Form
- 2.5:1 typical.....Crest Factor
- Input Main Circuit Breaker.....Input Protection
- Output Main Circuit Breaker.....Output Protection
- The unit will protect itself and the load.....Surge Protection
- against surges as defined in
- ANSI/IEEE C62.45 Category A and B
- Sealed maintenance-free (AGM) lead calcium.....Battery
- Conforms to UL924 standards.....Recharge Current
- Provision for hardware connection of.....External Battery
- external battery cabinets or DC source
- ≥92% at 100% linear load.....Efficiency
- <45dB measured on Response Curve "A"Audible Noise
- UL924 and UL1778.....ETL Listed**
- 20° to 50°C (-4° to 122°F).....Operating Temperature
- 20° to 60°C (-4° to 140°F).....Storage Temperature
- 5 - 100%, Non-condensing.....Humidity
- NEMA 4X.....Cabinet

* Consult factory for others.
 ** Safety agency evaluated for indoor operation.
 Specifications subject to change without notice.

- Options:**
- ECM - Environmental Control Module
 - NOF - Normally OFF Circuit
 - NOH - Normally OFF "Hold On"
 - OCB - Output Circuit Breker(s)
 - EPO - Emergency Power Off
 - RSSP - Remote Indicator Panel
 - SNMP - SNMP Card
 - FC - Form C Contacts
 - STU1 - Onsite Startup
 - IDB - Internal Dimmer Bypass
 - EMB - External Maintenance Bypass
 - HE - Heat Exchanger
 - HTR - Heater
 - EW - Extended Warranty

Fortress Harsh 1	Power Rating	UPS Cabinet Dimensions			Battery Cabinet Dimensions			Weight (combined)
		W	H	D	W	H	D	
FTH1 (Consult factory for others)	KVA/KW							
	0.35	41"	52"	36"	not required			950
	0.70	41"	52"	36"	not required			1170
	1.05	41"	52"	36"	not required			1220
	2.0	41"	52"	36"	not required			1410
	2.6	41"	52"	36"	not required			1620
	3.4	41"	52"	36"	not required			1780
	4.2	41"	52"	36"	not required			1980
	4.7	41"	73"	36"	not required			2350
	5.25	41"	73"	36"	not required			2350
	7.0	41"	73"	36"	not required			2600
	8.0	41"	73"	36"	not required			2600
	10.0	41"	73"	36"	not required			3050
	12.0	41"	73"	36"	not required			3310
	14.0	41"	73"	36"	41"	52"	36"	3700
18.0	41"	73"	36"	41"	52"	36"	4900	
21.0	41"	73"	36"	41"	52"	36"	5300	



439 S. Stoddard Avenue
 San Bernardino, CA 92401
 1.877.DSPM POWER
 1.877.377.6769
 Fax: 909.930.3335

Represented by: