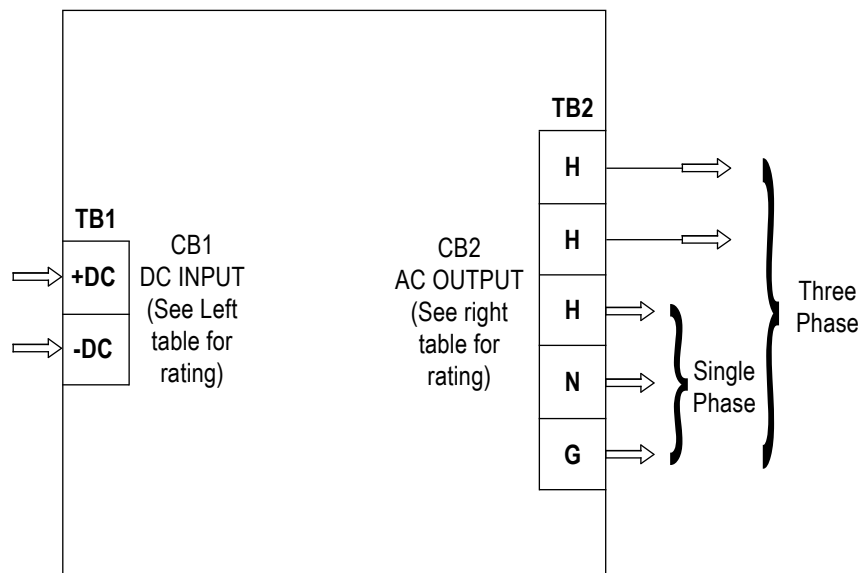


System Power (KW)	Input Amp
1	1.7
3	5
5	8.4
8	13.4



Output Type	Output Voltage (VAC)	Output Amp
Single Phase	120	8.4
	277	3.6
	480	2
	240/120	4.2/8.4
	277/120	3.6/8.4
Three Phase	480/277	1.2
	208/120	2.8
Single Phase	120	25
	277	10.9
	480	6.25
	240/120	12.5/25
Three Phase	277/120	10.9/25
	480/277	3.6
	208/120	8.4
Single Phase	120	41.7
	277	18.1
	480	10.42
	240/120	20.9/41.7
Three Phase	277/120	18.1/41.7
	480/277	6
	208/120	13.9
Single Phase	120	66.7
	277	29
	480	16.7
	240/120	66.7/33.4
	277/120	66.7/29
Three Phase	480/277	9.6
	208/120	22.2