



FORTRESS 3

SPECIFICATIONS

- The Fortress 3 maintains efficient AC Emergency Power to operate all emergency lighting fixtures at “full-light” output, providing superior dependability and security to commercial/industrial environments in an outdoor environment.

POWER RATING

- 3 KW - 125 KW (or 3,000 Watts - 125,000 Watts) three phase output unit uses the latest DSP/PWM technology to provide the most advanced performance and reliability features

DIAGNOSTICS AND MAINTENANCE

- DSP/PWM technology and DSPM Watchdog Software provides complete self diagnostic capabilities and LED Monitoring
- Informative advanced Display and Alarms keep you in control of your emergency lighting environment 24/7
- Automatically performs periodic self-tests ensuring a safely lighted environment prior to an emergency
- Single point of testing instead of multiple testing points with battery packs

PROTECTION

- Provides overload, surge and undercurrent protection using DSP/PWM technology and DSPM Watchdog Software to protect system performance and reliability
- Surge protection against load surges as defined in ANSI/IEEE C62.45 category A and B

INPUT

- 208Y/120, 480Y/277, 208 or 480VAC input 60Hz

OUTPUT

- 208Y/120 or 480Y/277VAC True “on-line” design is ≥92% efficient at 100% linear load

BATTERIES

- Sealed, maintenance-free, lead calcium (AGM) batteries
- 10-Year prorated warranty
- DSP/PWM Smart Battery Monitoring System is TEMPERATURE COMPENSATED maintaining maximum runtime and battery life
- Microprocessor controlled recharge and DSP/PWM overcharge protection standard

LAMPS AND LOADS

- Emergency power provides FULL LIGHT OUTPUT from all lamps and fixtures for the entire runtime
- Operates fluorescent, compact fluorescent, incandescent, quartz, H.I.D., LED and other lamp types
- Standard or electronic ballasts, dimming devices or panels, sensors and most control equipment
- Standard or LED Exits and other safety equipment

WARRANTY

- 1-Year full warranty on system electronics
- Battery warranty 1-year with 9-years pro-rated
- System 1-year on-site warranty labor with DSPM phone assisted start-up
- 5-Year powertrain warranty
- Maintenance contracts available

CODES

- UL 924, UL 1778, meets NFPA 101, NFPA 70, NEC and OSHA standards
- Cities of Chicago and New York approved
- Complies with the Buy American Act

INSTALLATION

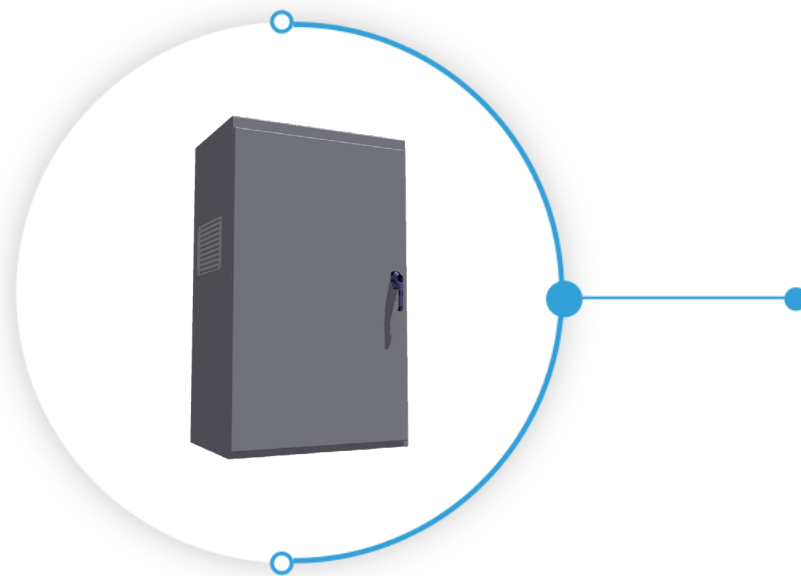
- Modular design and small footprint allow easy installation in electrical closet or other convenient locations
- Phone assisted factory start-up standard for all systems
- Extended warranty available

SPECIAL APPLICATIONS

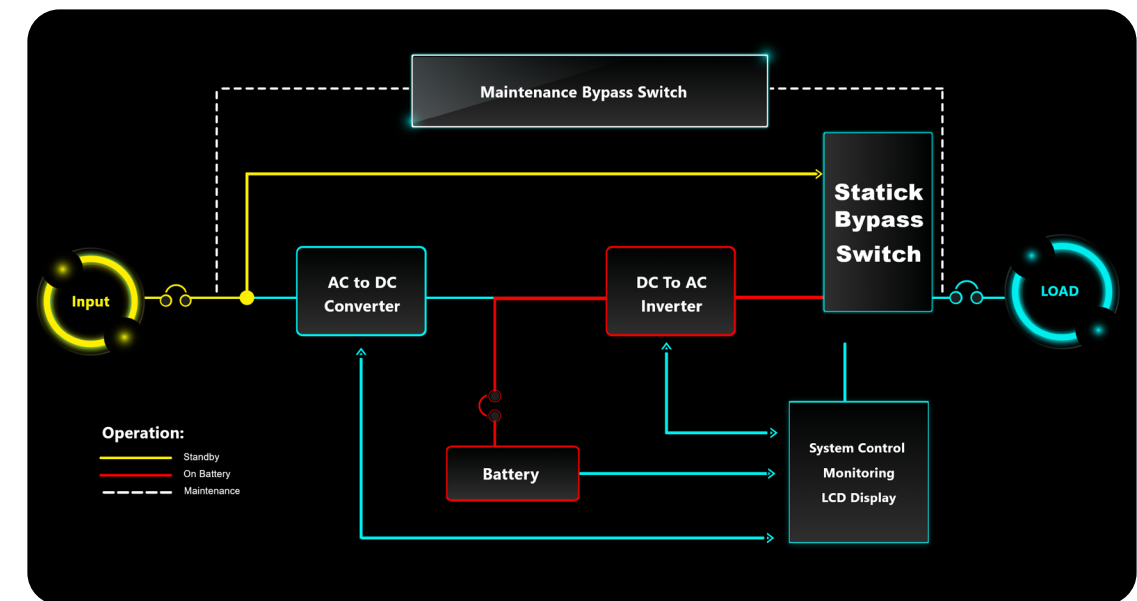
- DSPM offers numerous UL924 optional devices to meet unusual or difficult application parameters
- ECM - Environmental Circuit Module allows fixtures and lamps on the emergency circuit(s) to be operated by normal switching and/or dimming devices in NON-emergency conditions
- Dimming Panel Interface allows use with emergency lights controlled by common dimmer panel

NEMA 3R CABINET

- Modular design enables flexible installation
- Forced air cooling for maximum reliability
- Systems up to 10 KW are self contained; larger systems require external battery cabinet(s)



3 KW - 125 KW
Three Phase
Uninterrupted
Emergency
Lighting and
Power
Systems



Fortress Outdoor 3	Power Ratings	UPS			Battery				Weight (Combined)	British Thermal Unit	Battery Type	Voltage (VAC)		Output Protection	Safety Approvals
		Cabinet Dimensions			Cabinet Dimensions							Input	Output		
FT3 (Consult factory for other capabilities)	KVA/Kw	W	H	D	No.	W	H	D	(lbs)	BTU s	Sealed, Maintenance free (AGM) lead calcium	Select 208Y/120VAC, 480Y/277VAC, 208 or 480VAC (Consult factory for others)	Input and output circuit breakers standard	UL924 UL1778 NFPA 101 NFPA 70 NEC	
	3	(41+4)"	(72+4)"	36"					not required	1480					816
	4.5	(41+4)"	(72+4)"	36"					not required	1600					1224
	6	(41+4)"	(72+4)"	36"					not required	1850					1632
	8	(41+4)"	(72+4)"	36"					not required	2200					2176
	10	(41+4)"	(72+4)"	36"					not required	2750					2720
	12	(41+4)"	(72+4)"	36"	1	41+4"	48+4"	36"	3200	3264					
	16	(41+4)"	(72+4)"	36"	1	(41+4)"	(72+4)"	36"	3450	4352					
	20	(41+4)"	(72+4)"	36"	1	(41+4)"	(72+4)"	36"	4300	5440					
	24	(41+4)"	(72+4)"	36"	1	(41+4)"	(72+4)"	36"	5050	6528					
	30	(41+4)"	(72+4)"	36"	2	(41+4)"	(72+4)"	36"	5900	8160					
	40	(41+4)"	(72+4)"	36"	2	(41+4)"	(72+4)"	36"	6750	10880					
	60	Consult Factory								16320					
	80	Consult Factory								21760					
	100	Consult Factory								27200					
125	Consult Factory								34000						

We sincerely hope you never experience a real emergency, but if you do, you deserve the **security, safety and peace of mind** that the Fortress 3 from **DSPM** ensures.

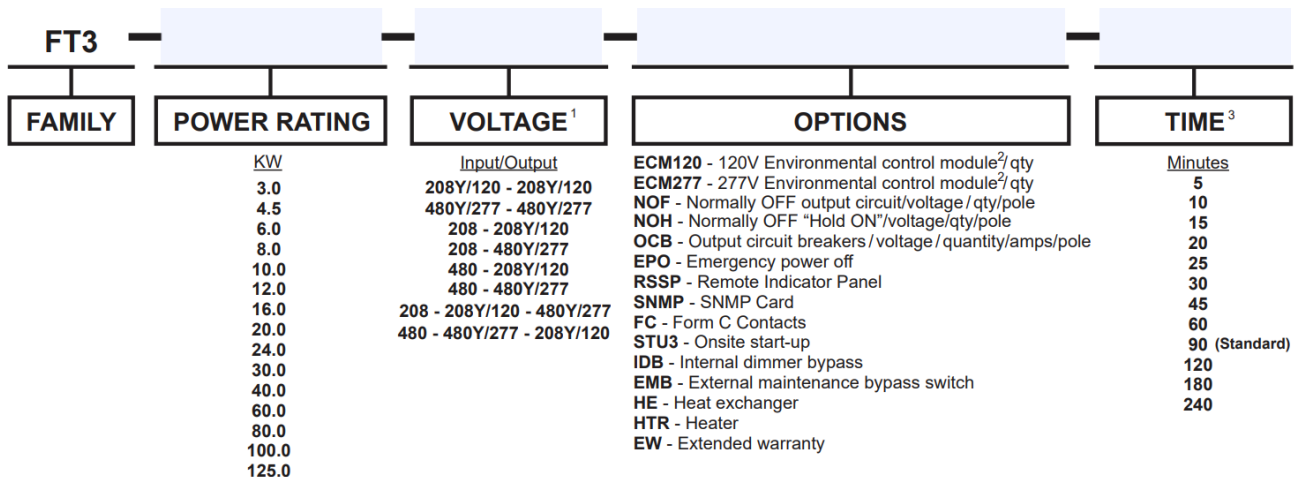
ORDERING INFORMATION

Choose the bold face catalog nomenclature that best suites your needs. Write them on the appropriate line. Order accessories as separate catalog number. Example:

FT3 - 12.0 - 208Y/120 208Y/120- EMB OCB/120/3/20/1 - 180

Description of example:

(12.0 KW, 208Y/120 Voltage In, 208Y/120 Voltage Out, External Maintenance Bypass Switch, 3 Output 120 Voltage Circuit Breakers at 20amps, 2 pole, 180 minute run time)



NOTES:

- 1-Consult factory for other voltage requirements. Special voltages may effect the weight, size and number or cabinets.
- 2-One ECM is used per switching device or circuit.
- 3-Consult factory for other run times.

Specifications subject to change without notice.



439 S. Stoddard Avenue San Bernardino, CA 92401

Ph: 1.877.DSPM POWER 1.877.377.6769 Fax: 909.930.3335