



## SPECIFICATIONS

The Power Lynx 3 maintains efficient AC Power eliminating noise, spikes, surges and brownouts. When the utility fails the unit will continue to provide AC voltage without the slightest interruption.

### POWER RATING

- 15 kVA - 125 kVA three phase output unit that uses the latest DSP/PWM technology to provide the most advanced performance and reliability features

### INPUT

- 208Y/120, 480Y/277, 208 or 480 VAC

### OUTPUT

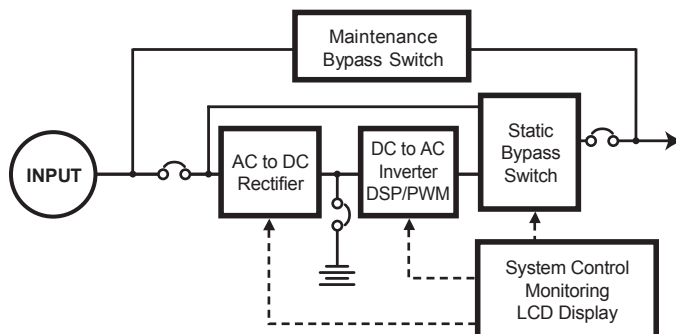
- 208Y/120 or 480Y/277VAC,  $\pm 2\%$  efficient.  
>92% efficient

### BATTERIES

- Sealed, maintenance-free, lead calcium (AGM) batteries
- 10-Year prorated warranty
- DSP/PWM Smart Battery Monitoring System is **TEMPERATURE COMPENSATED** maintaining maximum runtime and battery life
- Microprocessor controlled recharge and DSP/PWM overcharge protection standard

### CODES

- UL 924 and UL 1778
- Complies with the Buy American Act



Catalog Number	
Project	Notes
Signature	Date

15 kVA - 125 kVA

Three Phase

Uninterrupted  
Power  
Systems



### PROTECTION

- Provides overload, surge and undercurrent protection using DSP/PWM technology and DSPM *Watchdog Software* to protect system performance and reliability
- Surge protection against load surges as defined in ANSI/IEEE C62.45 category A and B

### DIAGNOSTICS AND MAINTENANCE

- DSP/PWM technology and DSPM *Watchdog Software* provides complete self diagnostic capabilities and LED Monitoring
- Informative advanced Display and Alarms keep you in control of your environment 24/7
- Automatically performs periodic self-tests
- Single point of testing instead of multiple testing points with battery packs

### CABINET

- Modular design enables flexible installation
- Forced air cooling for maximum reliability
- All systems are self contained

### INSTALLATION

- Modular design and small footprint allow easy installation in electrical closet or other convenient locations
- Factory start-up standard for all systems
- Extended warranty available

### WARRANTY

- 1-Year full warranty on system electronics
- Battery warranty 1-year with 9-years pro-rated
- System 1-year on-site warranty labor with DSPM phone assisted start-up
- 5-Year powertrain warranty
- Maintenance contracts available



Power Lynx Series	Power Rating	Total Watts	UPS			Battery			Weight (combined)	Battery Type	Voltage (VAC)		Output Protection
			Cabinet Dimensions			Cabinet Dimensions					Input	Output	
PLX3	kVA	KW	W	H	D	W	H	D	(lbs)	Sealed, Maintenance free (AGM) lead calcium	208Y/120VAC or 480Y/277VAC (Consult factory for others)	Input and output circuit breakers standard	
	15	12	42"	71"	22.5"	not required			1750				
	30	24	42"	71"	22.5"	not required			2200				
	50	40	42"	71"	22.5"	42"	71"	22.5"	2780				
	75	60	42"	71"	22.5"	42"	71"	22.5"	3200				
	100	80	50"	71"	32"	42"	71"	22.5"	3700				
125	100	50"	71"	32"	42"	71"	22.5"	4150					

The Power Lynx 3 is always on-line eliminating noise, spikes, surges and brownouts. When the utility fails, the PLX3 will continue to provide AC voltage without the slightest interruption. The PLX3 generates an output sine wave that uses a high frequency PWM. The output Transformer isolates your critical load from any source of noise, so that your equipment is always protected. It's comprehensive monitoring checks each output, and input individually so you always know what is going on with your critical load. Alarm settings are field adjustable via the front panel. A microprocessor will store any alarm so a history is always available.

You deserve the **peace of mind** that the Power Lynx from **DSPM** ensures.

## ORDERING INFORMATION

Choose the bold face catalog nomenclature that best suites your needs.

Write them on the appropriate line. Order accessories as separate catalog number.

Example:

**PLX3 - 30 - 208Y/120 208Y/120- EMB OCB/120/4**

Description of example:

(30 kVA, 208Y/120 Voltage In, 208Y/120 Voltage Out, External Maintenance Bypass Switch, 4 Output 120V Circuit Breakers)

PLX3	FAMILY	POWER RATING	VOLTAGE <sup>1</sup>	OPTIONS	TIME
		kVA	Input - Output	RSSP - Remote Indicator Panel	Minutes
		15	208Y/120 - 208Y/120	FC - Form C Contacts	10
		30	208Y/120 - 480Y/277	SNMP - SNMP Card	15
		50	480Y/277 - 208Y/120	OCB - Output Circuit Breaker(s)/voltage/qty	20
		75	480Y/277 - 480Y/277	SRB - Seismic rated bracket	25
		100	480 - 208Y/120	EMB - External maintenance bypass switch	30
		125	480 - 480Y/277	EW - Extended warranty	45
			208 - 208Y/120		60
			208 - 480Y/277		120
					180

### NOTES:

1-Consult factory for other voltage requirements. Special voltages may effect the weight, size and number of cabinets.

2-One ECM is used per switching device or circuit.

Specifications subject to change without notice.



1921 S. Quaker Ridge Place  
Ontario, CA 91761  
Ph: 1.877.DSPM POWER  
1.877.377.6769  
Fax: 909.930.3335