



SPECIFICATIONS

The Power Lynx 1 maintains efficient AC Power eliminating noise, spikes, surges and brownouts. When the utility fails the unit will continue to provide AC voltage without the slightest interruption.

POWER RATING

- 3 kVA - 18 kVA single phase output unit that uses the latest DSP/PWM technology to provide the most advanced performance and reliability features

INPUT

- 120, 208, 240, 277 or 480 VAC

OUTPUT

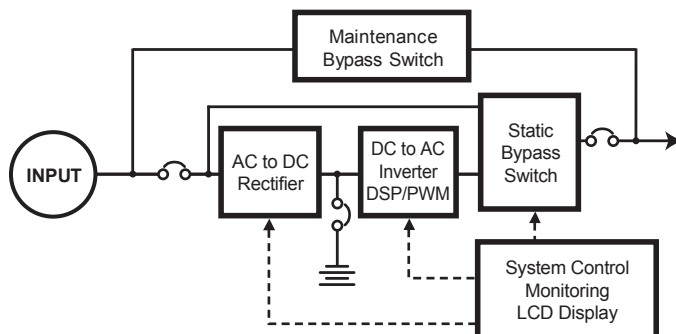
- 120, 208, 240, 277, 480 or 120/240VAC, $\geq 92\%$ efficient at 100% linear load

BATTERIES

- Sealed, maintenance-free, lead calcium (AGM) batteries
- 10-Year prorated warranty
- DSP/PWM Smart Battery Monitoring System is **TEMPERATURE COMPENSATED** maintaining maximum runtime and battery life
- Microprocessor controlled recharge and DSP/PWM overcharge protection standard

CODES

- UL 924 and UL 1778
- Complies with the Buy American Act



| | |
|----------------|-------|
| Catalog Number | |
| Project | Notes |
| Signature | Date |

3 kVA - 18 kVA

Single Phase

Uninterrupted Power Systems



PROTECTION

- Provides overload, surge and undercurrent protection using DSP/PWM technology and DSPM *Watchdog Software* to protect system performance and reliability
- Surge protection against load surges as defined in ANSI/IEEE C62.45 category A and B

DIAGNOSTICS AND MAINTENANCE

- DSP/PWM technology and DSPM *Watchdog Software* provides complete self diagnostic capabilities and LED Monitoring
- Informative advanced Display and Alarms keep you in control of your environment 24/7
- Automatically performs periodic self-tests
- Single point of testing instead of multiple testing points with battery packs

CABINET

- Modular design enables flexible installation
- Forced air cooling for maximum reliability
- All systems are self contained

INSTALLATION

- Modular design and small footprint allow easy installation in electrical closet or other convenient locations
- Factory start-up standard for all systems
- Extended warranty available

WARRANTY

- 1-Year full warranty on system electronics
- Battery warranty 1-year with 9-years pro-rated
- System 1-year on-site warranty labor with DSPM phone assisted start-up
- 5-Year powertrain warranty
- Maintenance contracts available

POWER LYNX 1




| Power Lynx Series | Power Rating | Total Watts | UPS Cabinet Dimensions | | | Weight (lbs) | Battery Type | Voltage (VAC) | | Output Protection |
|-------------------|--------------|-------------|------------------------|-------|-------|--------------|---|---------------|--------|--|
| | | | W | H | D | | | Input | Output | |
| PLX1 | kVA | KW | W | H | D | (lbs) | Sealed, Maintenance free (AGM) lead calcium | Input | Output | Input and output circuit breakers standard |
| | 3 | 2.0 | 8" | 14" | 17" | 40 | | | | |
| | 5 | 3.5 | 24" | 26" | 16" | 75 | | | | |
| | 7.5 | 5.25 | 26" | 44" | 26" | 200 | | | | |
| | 10 | 7.0 | 42" | 48" | 22.5" | 400 | | | | |
| | 12.5 | 8.75 | 42" | 48" | 22.5" | 500 | | | | |
| | 15 | 10.5 | 42" | 71" | 22.5" | 650 | | | | |
| 18 | 12.6 | 42" | 71" | 22.5" | 850 | | | | | |

The Power Lynx 1 is always on-line eliminating noise, spikes, surges and brownouts. When the utility fails, the PLX1 will continue to provide AC voltage without the slightest interruption. The PLX1 generates an outputsine wave that uses a high frequency PWM. The output Transformer isolates your critical load from any source of noise, so that your equipment is always protected. It's comprehensive monitoring checks each output, and input individually so you always know what is going on with your critical load. Alarm settings are field adjustable via the front panel. A microprocessor will store any alarm so a history is always available.

You deserve the **peace of mind** that the Power Lynx from **DSPM** ensures.

ORDERING INFORMATION

Choose the bold face catalog nomenclature that best suites your needs.

Write them on the appropriate line. Order accessories as separate catalog number.

Example:

PLX1 - 7.5 - 208 240- EMB OCB/240/3

Description of example:

(7.5 kVA, 208 Voltage In, 240 Voltage Out, External Maintenance Bypass Switch, 3 Output 240V Circuit Breakers)

| PLX1 | FAMILY | POWER RATING | VOLTAGE ¹ | | OPTIONS | TIME |
|------|--------|--------------|----------------------|----------------|---|--------------|
| | | kVA | Input - Output | Input - Output | RSSP - Remote Indicator Panel | Minutes |
| | | 3 | 120/120 | 277/120 | SNMP - SNMP Card | 5 (Standard) |
| | | 5 | 120/277 | 277/277 | FC - Form C Contacts | 10 |
| | | 7.5 | 120/480 | 277/480 | OCB - Output Circuit Breaker(s)/voltage/qty | 15 |
| | | 10 | 120/120-240 | 277/120-240 | SRB - Seismic rated bracket | 20 |
| | | 12.5 | 120/120-277 | 277/120-277 | EMB - External maintenance bypass switch | 25 |
| | | 15 | 208/120 | 480/120 | EW - Extended warranty | 30 |
| | | 18 | 208/277 | 480/277 | | 45 |
| | | | 208/480 | 480/480 | | 60 |
| | | | 208/120-240 | 480/120-240 | | 120 |
| | | | 208/120-277 | 480/120-277 | | 180 |
| | | | 240/120 | | | |
| | | | 240/277 | | | |
| | | | 240/480 | | | |
| | | | 240/120-240 | | | |
| | | | 240/120-277 | | | |

NOTES:

1-Consult factory for other voltage requirements. Special voltages may effect the weight, size and number of cabinets.

2-One ECM is used per switching device or circuit.

Specifications subject to change without notice.



1921 S. Quaker Ridge Place
 Ontario, CA 91761
 Ph: 1.877.DSPM POWER
 1.877.377.6769
 Fax: 909.930.3335