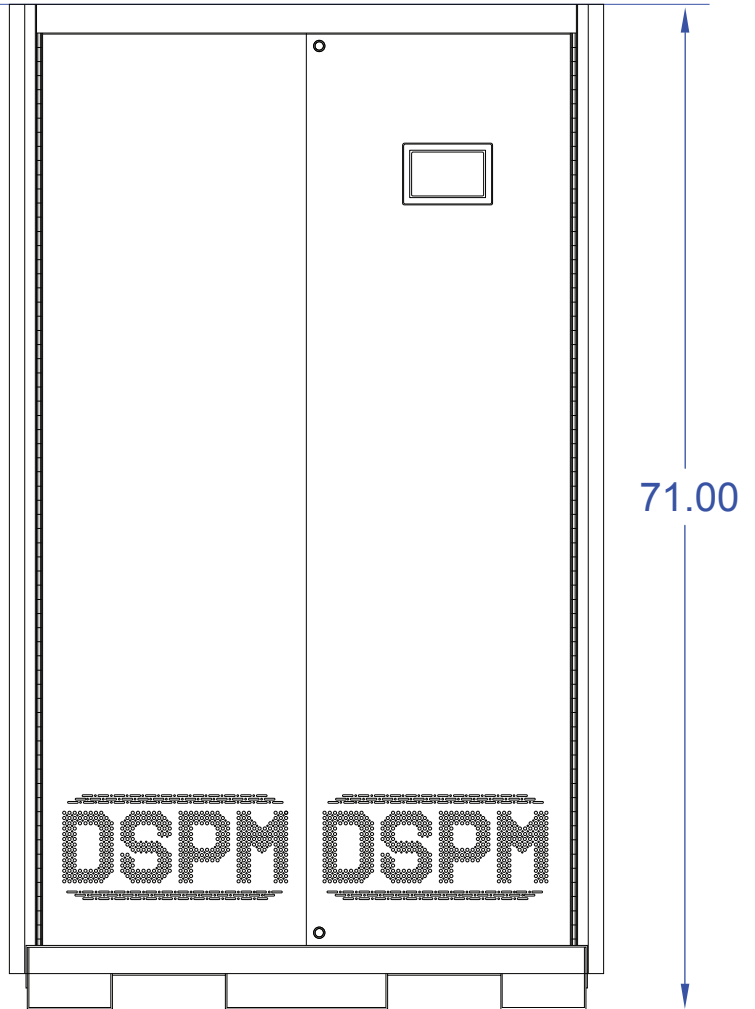


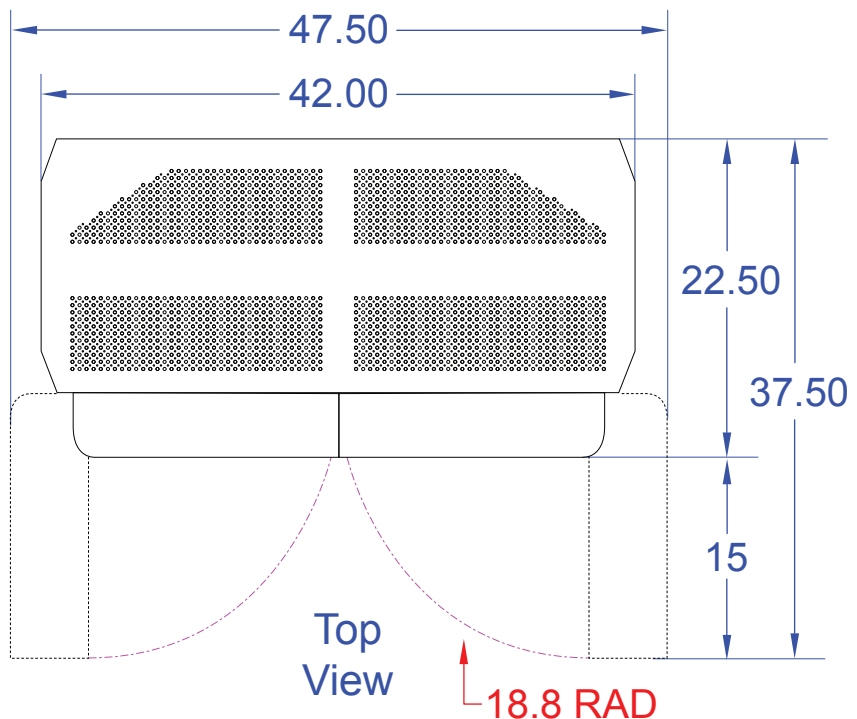
Right / Left Side View

Front View



Per code requirements please leave 3" on each side of the cabinet including the back, and a 3 foot clearance in front.

Notice: This drawing contains confidential and proprietary data originated. All design, manufacturing, reproduction, use and sale rights are expressly reserved. The recipient agrees by accepting this document, not to supply or disclose and information regarding it to any unauthorized person, or to incorporate this data into any other design or use thereof. All patent rights are expressly reserved.



<p>71" Cabinet Dimensions</p>	<p>Drawing # 070-0013-02</p> <p>Drawing by: H.A. Berger</p>	 <p>DSPM INC. DIGITAL SIGNAL POWER MANUFACTURER www.DSPManufacturing.com</p>	<p>439 S. Stoddard Avenue San Bernardino, CA 92401 Ph: 1.877.DSPM POWER 1.877.377.6769 Fax: 909.930.3335 E-Mail: engineering@dspmanufacturing.com</p>	<p>Revision Level A</p> <p>Sheet 1 of 1</p>
-------------------------------	--	---	---	--