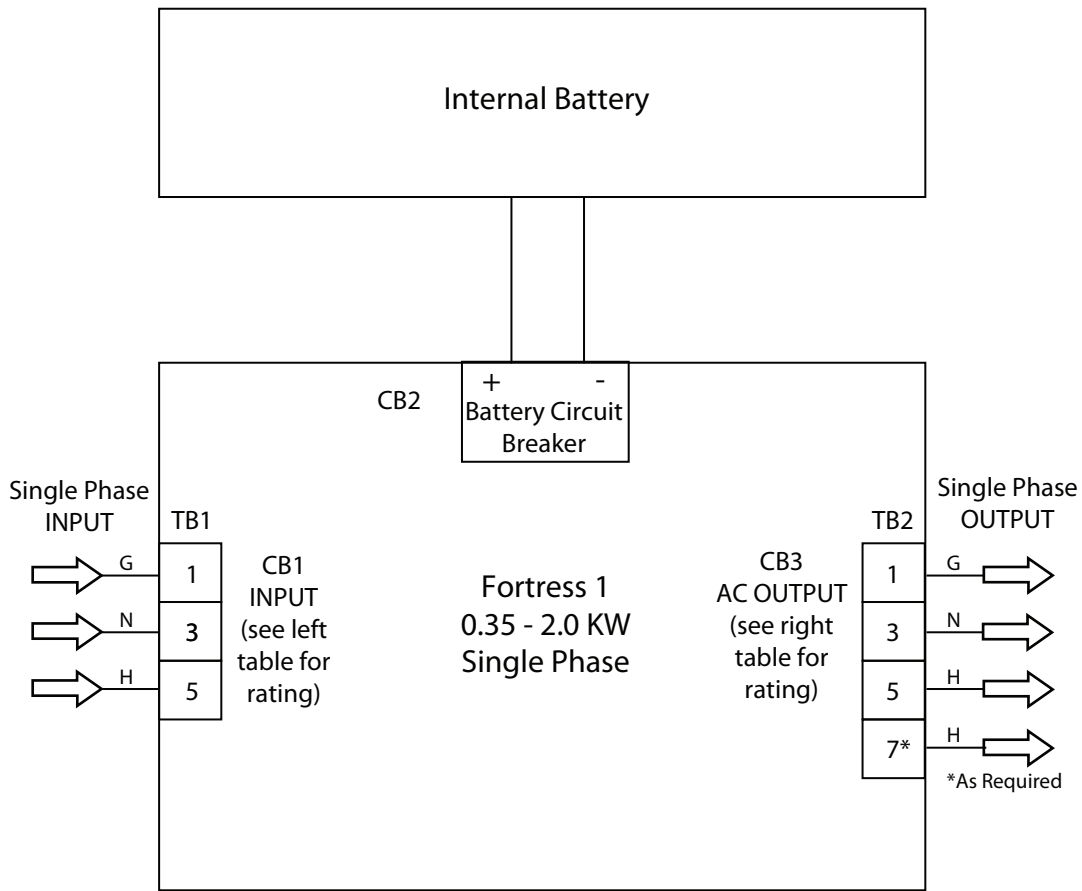


KW	Input Voltage	Utility Feed Amps
0.35	120	5
	208	3
	240	2.6
	277	2.2
	480	1.3
0.525	120	7.7
	208	4.4
	240	3.8
	277	3.3
	480	1.9
0.7	120	10.2
	208	5.9
	240	5.1
	277	4.4
	480	2.6
0.875	120	12.8
	208	7.4
	240	6.4
	277	5.5
	480	3.2
1.05	120	15.3
	208	8.8
	240	7.7
	277	6.6
	480	3.8
1.4	120	20.4
	208	11.8
	240	10.2
	277	8.8
	480	5.1
2.0	120	29.2
	208	16.8
	240	14.6
	277	12.6
	480	7.3



KW	Output Voltage	Max Output Amps
0.35	120	2.9
	277	1.3
	480	0.7
	120/240*	2.9/1.5
	120/277*	2.9/1.3
0.525	120	4.4
	277	1.9
	480	1.1
	120/240*	4.4/2.2
	120/277*	4.4/1.9
0.7	120	5.8
	277	2.5
	480	1.5
	120/240*	5.8/2.9
	120/277*	5.8/2.5
0.875	120	7.3
	277	3.2
	480	1.8
	120/240*	7.3/3.6
	120/277*	7.3/3.2
1.05	120	8.8
	277	3.8
	480	2.2
	120/240*	8.8/4.4
	120/277*	8.8/3.8
1.4	120	11.7
	277	5.1
	480	2.9
	120/240*	11.7/5.8
	120/277*	11.7/5.1
2.0	120	16.7
	277	7.2
	480	4.2
	120/240*	16.7/8.3
	120/277*	16.7/7.2

* Consult Factory for other wattages

REV	DESCRIPTION	ECO	DATE	WIRE LISTS
NR	New Release		3/29/10	See note Bottom Left Corner of Doc.

Title Fortress 1: 0.35-2.0 KW Single Phase Integration Drawing		
Size: 11 x 8.5	Doc No. 091-1018-01	Revision: NR
Date: 3/29/2010	Time: 4:29:31 PM	Sheet 1 of 1
File: 091-1018-01		

