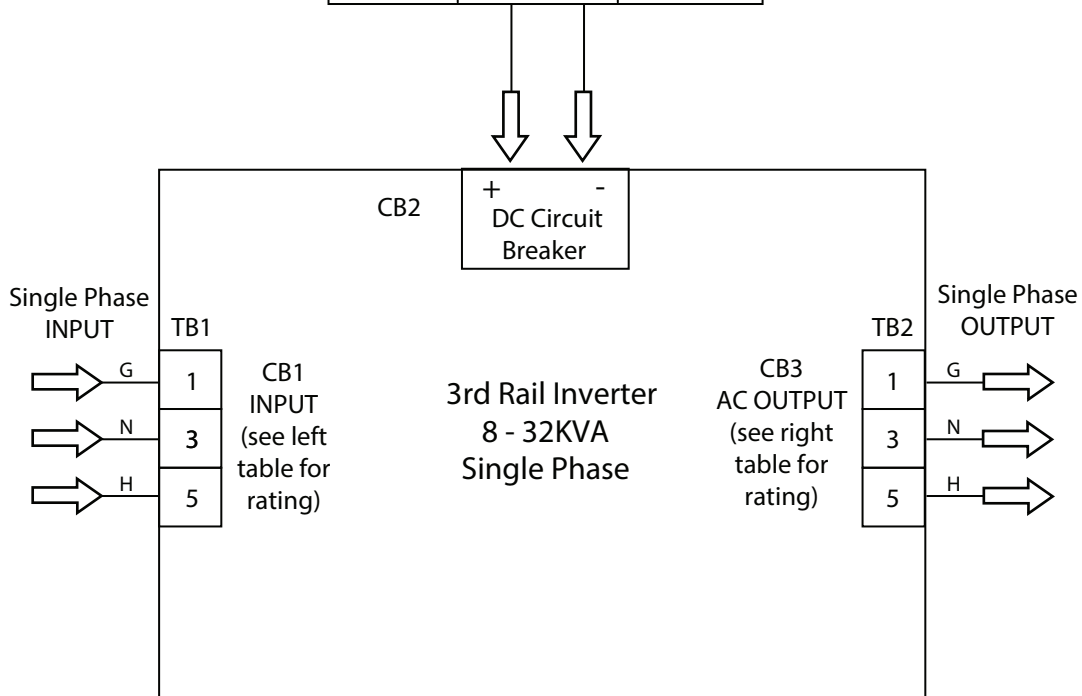


All Systems Interconnect Cables to be supplied by others

KVA	Input Voltage	Utility Feed Amps
8.0	120	100
	208	58
	240	50
	277	43
16.0	480	35
	120	200
	208	115
	240	100
24.0	277	86
	480	50
	208	174
	240	150
32.0	277	124
	480	75
	208	232
	240	200
32.0	277	113.7
	480	65.6

KW	Input Voltage	Utility Feed Amps
8.0	600	22
16.0	600	45
24.0	600	68
32.0	600	91



KW	Output Voltage	Max Output Amps
12.0	120	100
	277	43.4
	480	25
	120/240	50
14.0	120	116.7
	277	50.6
	480	29.2
	120/240	58.4
18.0	120	150
	277	65
	480	37.5
20.0	120/240	75
	120	166.7
	277	72.2
21.0	480	41.7
	120/240	83.3
	120	175
	277	75.8
21.0	480	43.8
	120/240	87.5

\* Consult Factory for other wattages

REV	DESCRIPTION	ECO	DATE	WIRE LISTS
NR	New Release		3/29/10	See note Bottom Left Corner of Doc.

Title <b>3rd Rail Single Phase Integration Drawing</b>		
Size: 11 x 8.5	Doc No. <b>091-1129-01</b>	Revision: <b>NR</b>
Date: <b>10/25/2018</b>	Time:	Sheet 1 of 1
File:		

