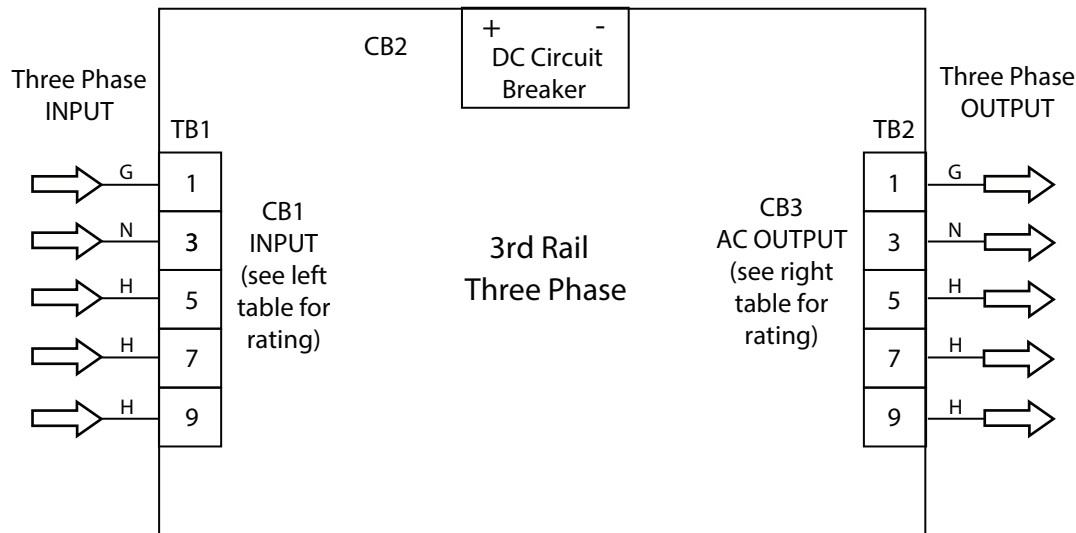
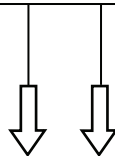


All Systems Interconnect Cables to be supplied by others

KW	Input Voltage	DC Feed Amps
8.0	600 VDC	22.8 AMP
16.0	600 VDC	45.6 AMP
24.0	600 VDC	68.4 AMP
32.0	600 VDC	92.8 AMP



KW	Input Voltage	Utility Feed Amps
8.0	208Y/120	39
	480Y/277	16.9
16.0	208	39
	480	16.9
	208Y/120	77.8
24.0	480Y/277	33.7
	208	77.8
	480	33.4
32.0	208Y/120	116.7
	480Y/277	50.6
	208	116.7
	480	50.6

KW	Output Voltage	Max Output Amps
8.0	208Y/120	22.2
	480Y/277	9.6
16.0	208Y/120	44.5
	480Y/277	19.3
24.0	208Y/120	55.6
	480Y/277	24.1
32.0	208Y/120	88.9
	480Y/277	38.5

* Consult Factory for other wattages

REV	DESCRIPTION	ECO	DATE	WIRE LISTS
NR	New Release		3/29/10	See note Bottom Left Corner of Doc.

Title 3rd Rail Inverter Lower Level Three Phase Integration Drawing		
Size: 11 x 8.5	Doc No. 091-1130-01	Revision: NR
Date: 10/25/2018	Time:	Sheet 1 of 1
File:		

