



SPECIFICATIONS

The Power Lynx 1 maintains efficient AC Power eliminating noise, spikes, surges and brownouts. When the utility fails the unit will continue to provide AC voltage without the slightest interruption.

POWER RATING

- 3 kVA - 18 kVA single phase output unit that uses the latest DSP/PWM technology to provide the most advanced performance and reliability features

INPUT

- 120, 208, 240, 277 or 480 VAC

OUTPUT

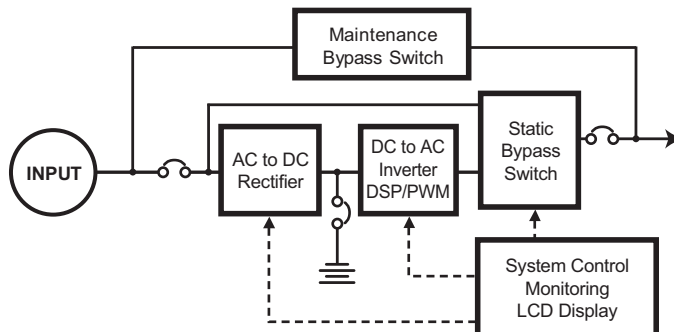
- 120, 208, 240, 277, 480 or 120/240VAC, $\geq 92\%$ efficient at 100% linear load

BATTERIES

- Sealed, maintenance-free, lead calcium (AGM) batteries
- 10-Year prorated warranty
- DSP/PWM Smart Battery Monitoring System is **TEMPERATURE COMPENSATED** maintaining maximum runtime and battery life
- Microprocessor controlled recharge and DSP/PWM overcharge protection standard

CODES

- UL 1778
- Complies with the Buy American Act



Catalog Number	
Project	Notes
Signature	Date

3 kVA - 18 kVA

Single Phase

Outdoor
Uninterrupted
Power
Systems



PROTECTION

- Provides overload, surge and undercurrent protection using DSP/PWM technology and DSPM *Watchdog Software* to protect system performance and reliability
- Surge protection against load surges as defined in ANSI/IEEE C62.45 category A and B

DIAGNOSTICS AND MAINTENANCE

- DSP/PWM technology and DSPM *Watchdog Software* provides complete self diagnostic capabilities and LED Monitoring
- Informative advanced Display and Alarms keep you in control of your environment 24/7
- Automatically performs periodic self-tests
- Single point of testing instead of multiple testing points with battery packs

NEMA 3R CABINET

- Modular design enables flexible installation
- Forced air cooling for maximum reliability
- All systems are self contained

INSTALLATION

- Modular design and small footprint allow easy installation in electrical closet or other convenient locations
- Factory start-up standard for all systems
- Extended warranty available

WARRANTY

- 1-Year full warranty on system electronics
- Battery warranty 1-year with 9-years pro-rated
- System 1-year on-site warranty labor with DSPM phone assisted start-up
- 5-Year powertrain warranty
- Maintenance contracts available



Power Lynx Series	Power Rating	Total Watts	UPS Cabinet Dimensions			Weight (lbs)	Battery Type	Voltage (VAC)		Output Protection
			W	H	D			Input	Output	
PLO1	kVA	KW					Sealed, Maintenance free (AGM) lead calcium			Input and output circuit breakers standard
	3	2.0	41"	48"	32"	925		<i>Select</i> 120, 208, 240, 277, 480 or 120/240 (Consult factory for others)		
	5	3.5	41"	48"	32"	970				
	7.5	5.25	41"	48"	32"	1170				
	10	7.0	41"	48"	32"	1270				
	12.5	8.75	41"	48"	32"	1320				
	15	10.5	41"	48"	32"	1395				
18	12.6	41"	48"	32"	1595					

The Power Lynx 1 is always on-line eliminating noise, spikes, surges and brownouts. When the utility fails, the PLO1 will continue to provide AC voltage without the slightest interruption. The PLO1 generates an output sine wave that uses a high frequency PWM. The output Transformer isolates your critical load from any source of noise, so that your equipment is always protected. It's comprehensive monitoring checks each output, and input individually so you always know what is going on with your critical load. Alarm settings are field adjustable via the front panel. A microprocessor will store any alarm so a history is always available.

You deserve the **peace of mind** that the Power Lynx from **DSPM** ensures.

ORDERING INFORMATION

Choose the bold face catalog nomenclature that best suites your needs.

Write them on the appropriate line. Order accessories as separate catalog number.

Example:

PLO1 - 7.5 - 208 240- EMB OCB/240/2

Description of example:

(7.5 kVA, 208 Voltage In, 240 Voltage Out, External Maintenance Bypass Switch, 2 Output 240V Circuit Breakers)

PLO1		VOLTAGE ¹		OPTIONS		TIME	
FAMILY	POWER RATING	Input - Output	Input - Output			Minutes	
	kVA			RSSP - Remote Indicator Panel		5 (Standard)	
	3	120/120	277/120	SNMP - SNMP Card		10	
	5	120/277	277/277	FC - Form C Contacts		15	
	7.5	120/480	277/480	OCB - Output Circuit Breaker(s)/voltage/qty		20	
	10	120/120-240	277/120-240	SRB - Seismic rated bracket		25	
	12.5	120/120-277	277/120-277	EMB - External maintenance bypass switch		30	
	15	208/120	480/120	HE - Heat exchanger		45	
	18	208/277	480/277	HTR - Heater		60	
		208/480	480/480	EW - Extended warranty		120	
		208/120-240	480/120-240			180	
		208/120-277	480/120-277				
		240/120					
		240/277					
		240/480					
		240/120-240					
		240/120-277					

NOTES:

1-Consult factory for other voltage requirements. Special voltages may effect the weight, size and number of cabinets.

2-One ECM is used per switching device or circuit.

Specifications subject to change without notice.



1921 S. Quaker Ridge Place
Ontario, CA 91761
Ph: 1.877.DSPM POWER
1.877.377.6769
Fax: 909.930.3335