



DESCRIPTION

The Piranha provides the ultimate in power conditioning voltage regulation and is designed to be fully field supported. The Piranha comes standard with a manual bypass switch that enables the unit to operate keeping you on-line when you need it most!

*POWER RATING

- 10 kVA - 250 kVA single or three phase output unit uses the latest technology to provide the most advanced performance and reliability features

*INPUT

- 208, 240 or 480 VAC
- Regulation Range of +10%, -15%
- 0.95 Power Factor

*OUTPUT

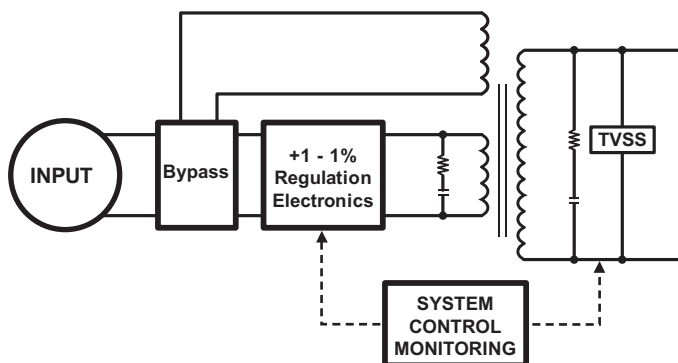
- 120/240, 208Y/120 or 480Y/277 VAC output 60 Hz
- Voltage regulation $\pm 1\%$ typical, $\pm 2\%$ max

LOADS

- Offers a Subcycle Voltage correction
- Maintains a "Peak to RMS" ratio ≥ 3 to 1

CODES

- Built to UL standard 1950
- Complies with the Buy American Act



*Consult factory for others.

083-0031-01 Rev. D

Catalog Number	
Project	Notes
Signature	Date

10 kVA - 250 kVA

Single or
Three Phase

Outdoor
Power
Conditioning/
Voltage
Regulator



PROTECTION

- Provides overload, surge and undercurrent protection using DSP/PWM technology and DSPM *Watchdog Software* to protect system performance and reliability
- Surge protection against load surges as defined in ANSI/IEEE C62.45 category A and B

DIAGNOSTICS AND MAINTENANCE

- DSP/PWM technology and DSPM *Watchdog Software* provides complete self diagnostic capabilities and LED Monitoring
- Informative advanced Display and Alarms keep you in control of your emergency lighting environment 24/7

NEMA 3R CABINET

- Modular design enables flexible installation
- Forced air cooling for maximum reliability
- All systems are self contained

INSTALLATION

- Modular design and small footprint allow easy installation in electrical closet or other convenient locations
- Phone assisted factory start-up standard for all systems
- Extended warranty available

RELIABILITY

- MTBF greater than 200,000 hours in worst case conditions
- MTTR of less than 2 hours
- The front access control panel makes it easy to maintain and ensures maximum up time

WARRANTY

- 1-Year full warranty on system electronics
- System 1-year on-site warranty labor with DSPM phone assisted start-up
- 5-Year powertrain warranty
- Maintenance contracts available

