

# ISOLATION TRANSFORMER



## SPECIFICATIONS

*The Isolation Transformer 3 maintains efficient power to operate even with the worst of power problems, providing superior dependability and reliability commercial/industrial environments in a small footprint.*

### POWER RATING

- 15 kVA - 500 kVA three phase output unit uses the latest DSP/PWM technology to provide the most advanced performance and reliability features

### INPUT

- 208 or 480 VAC input 50-60Hz

### OUTPUT

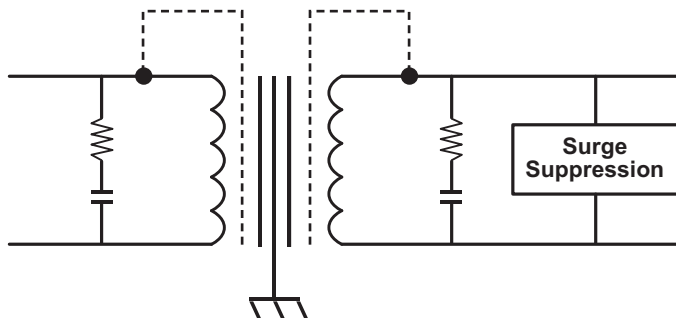
- 208Y/120 or 480Y/277VAC
- <200 nanoseconds response time

### CODES

- Meets NFPA 101, NFPA 70, NEC and OSHA standards

### PROTECTION

- Provides overload, surge and undercurrent protection
- Surge protection against load surges as defined in ANSI/IEEE C62.45 category A and B



Catalog Number	
Project	Notes
Signature	Date

## 15 kVA - 500 kVA

### Three Phase

### Harsh Environment Isolation Transformer



### DIAGNOSTICS AND MAINTENANCE

- DSP/PWM technology and DSPM *Watchdog Software* provides complete self diagnostic capabilities and LED Monitoring
- Informative advanced Display and Alarms keep you in control of your emergency lighting environment 24/7

### NEMA 4X or 12 CABINET

- Modular design enables flexible installation
- Forced air cooling for maximum reliability
- All systems are self contained

### INSTALLATION

- Modular design and small footprint allow easy installation in electrical closet or other convenient locations
- Phone assisted factory start-up standard for all systems
- Extended warranty available

### SPECIAL APPLICATIONS

- DSPM offers numerous UL924 optional devices to meet unusual or difficult application parameters
- ECM - Environmental Circuit Module allows fixtures and lamps on the emergency circuit(s) to be operated by normal switching and/or dimming devices in NON-emergency conditions
- Dimming Panel Interface allows use with emergency lights controlled by common dimmer panel

### WARRANTY

- 1-Year full warranty on system electronics
- System 1-year on-site warranty labor with DSPM phone assisted start-up
- 5-Year powertrain warranty
- Maintenance contracts available

# ISOLATION TRANSFORMER



Isolation Transformer Series	Power Rating	Cabinet Dimensions			Weight (lbs)	BTU	Voltage (VAC)		Efficiency	Standard Features
		W	H	D			Input	Output		
ISH3 (Consult factory for others)	kVA	W	H	D	(lbs)		Input	Output	96% at full loads; 98% at light loads	Common-Mode Noise Attenuation -120 dB  Normal-Mode Noise Attenuation -20 dB/decade
	15	58"	72.8"	36"	660	2040	208 or 480	208Y/120 or 408/277		
	30	58"	72.8"	36"	780	4080				
	50	58"	72.8"	36"	890	6800				
	75	58"	72.8"	36"	1030	10200				
	100	58"	72.8"	36"	1160	13600				
	125	58"	72.8"	36"	1250	17000				
	150	58"	72.8"	36"	1330	20400				
	175	58"	72.8"	36"	1510	23800				
	200	58"	72.8"	36"	1660	27200				
	225	58"	72.8"	36"	1760	30600				
	250	58"	72.8"	36"	2010	34000				
	300	58"	72.8"	36"	2210	40800				
400	58"	72.8"	36"	2860	54400					
500	58"	72.8"	36"	3060	68000					

The Isolation Transformer 3 protects against switching power supplies, electrical noise, dirty power, transverse voltage and voltage disturbances. The ISO3 helps protect your computers and other sensitive equipment from the worst of any electrical problem. Along with protecting your printers, data transfers and sensitive circuit components. The ISO3 has 3 - 5% low impedance that minimizes the distortions, and 2 Faraday shield.

You deserve the **peace of mind** that the Isolations Transformer from **DSPM** ensures.

## ORDERING INFORMATION

Choose the bold face catalog nomenclature that best suites your needs.

Write them on the appropriate line. Order accessories as separate catalog number.

Example:

**ISH3 - 50 - 208 208Y/120- HIT EW**

Description of example:

(50 kVA, 208 Voltage In, 208Y/120 Voltage Out, High Isolation Transformer, Extended Warranty)

ISH3			
FAMILY	POWER RATING	VOLTAGE <sup>1</sup>	OPTIONS
	kVA	Input - Output	SSS - Secondary Surge Suppression
	15	208 - 208Y/120	IF - Input Filter
	30	208 - 480Y/277	IOF - Input/Output Filter
	50	480 - 208Y/120	CMNA140 - Common Mode Noise Attenuation -140dB
	75	480 - 480Y/277	CMNA152 - Common Mode Noise Attenuation -152dB
	100		HIT - High Isolation Transformer
	125		HCR - Harmonic Reduction
	150		STU3 - Onsite Startup
	175		HE - Heater
	200		EW - Extended Warranty
	225		
	250		
	300		
	400		
	500		

### NOTES:

1-Consult factory for other voltage requirements. Special voltages may effect the weight, size and number of cabinets.

Specifications subject to change without notice.



1921 S. Quaker Ridge Place  
Ontario, CA 91761  
Ph: 1.877.DSPM POWER  
1.877.377.6769  
Fax: 909.930.3335